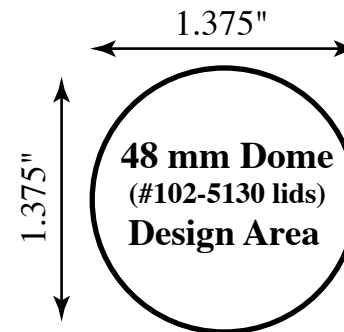
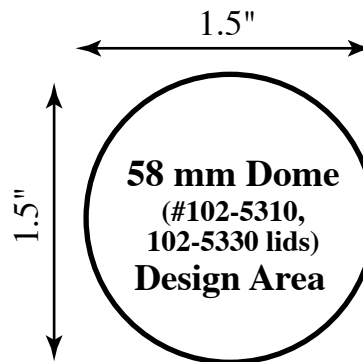
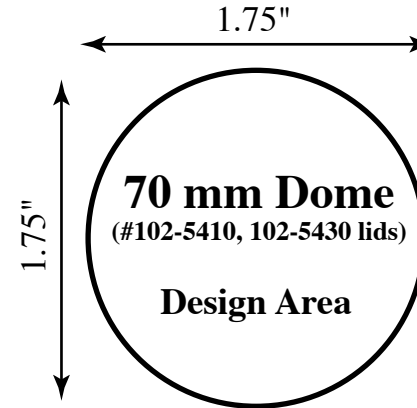
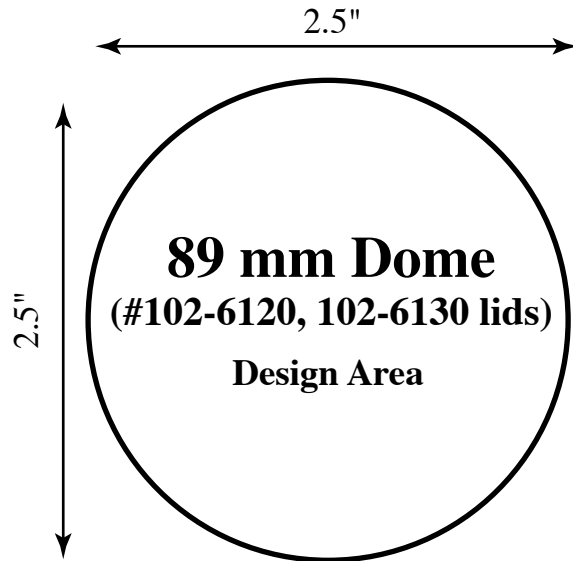


# Reference sheet for Dome Lids



Note: All dimensions given are the size of the label after it has been cut. The size is the maximum tolerated by the container and may be made smaller. We recommend that a 0.1" bleed area be added to the dimensions of the label file. This would make the 89mm labels 2.6", the 70mm labels 1.85", the 58mm labels 1.5" and the 48mm labels 1.475".